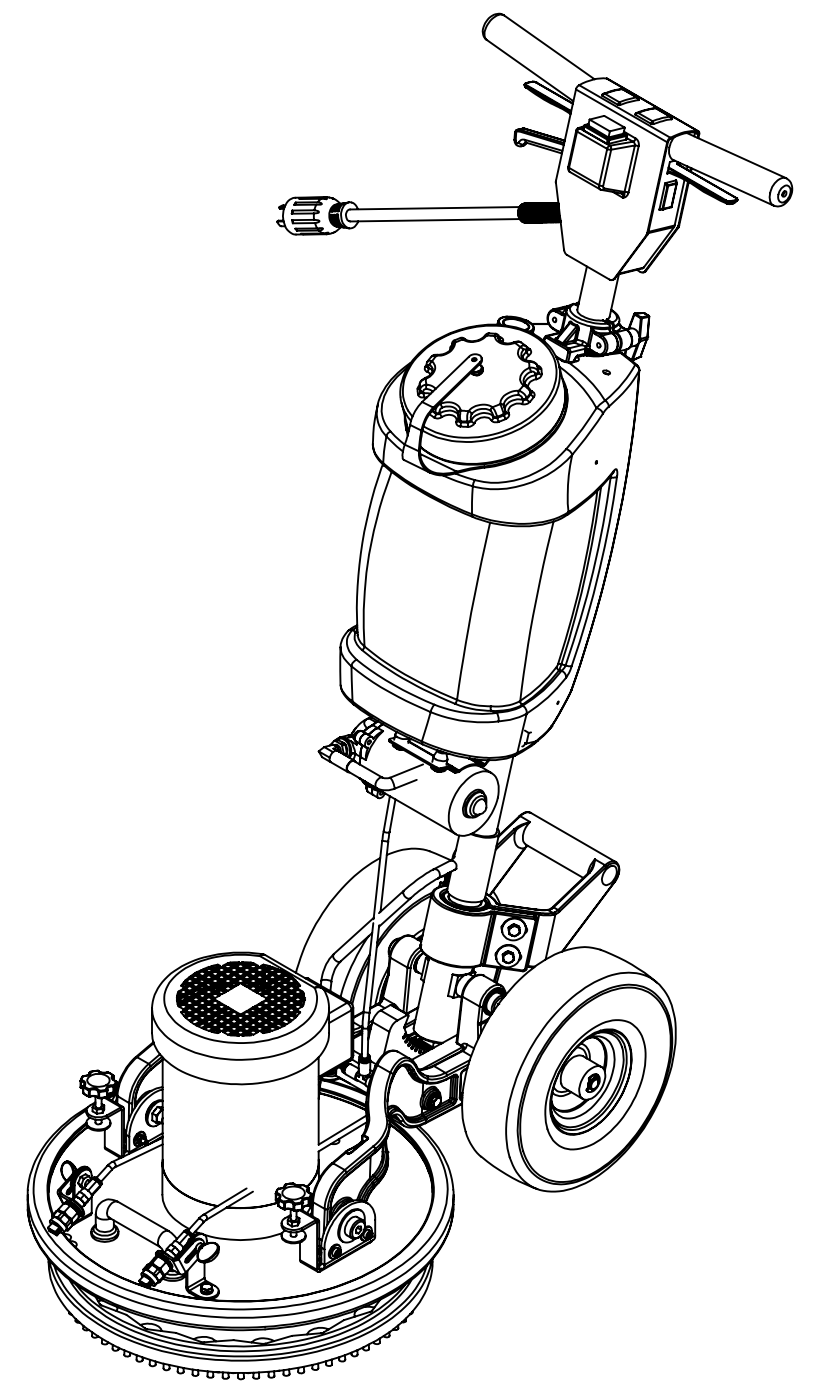


ITEM NO.	PART NO.	DESCRIPTION	QTY.
1	H151	bolt, 5/16-18 x 3/4" Long SHCS	6
2	H421	washer, 5/16" lock, s/s	6
3	H843	locking arc, handle adjustment	1
4	H555	plate, yoke, EC-17	1
5	H216	nut, lock, 1/4-20, nylon insert, s/s	8
6	H210	washer, 1/4" flat, s/s	48
7	H316	bolt, 1/4-20 x 1-1/2" hex head, s/s	9
8	H065	bushing, sleeve, 5/8 i.d. x 1.25" long	2
9	H066	bolt, shoulder 5/8" x 1.25", 1/2-13 thrds	2
10	H212	flat washer, 9/16"ID x 1 1/16"OD, AN960-C916	9
11	PH615-1	sol hose, 1/2", 3045 psi, black	2
12	H109	wheel, 10", foam filled	2
13	H042	c-clip, 12mm, external	2
14	H228	axle, 13.10" x .50" dia	1
15	H553	arm, left	1
16	P607	bushing, flange, .63" i.d. x .38" long	4
17	H554	bracket, arm, EC-17	2
18	P606	bushing, flange, .63" i.d. x .25" long	4
19	H299	washer, 11/16" id x 1-1/2" od x .075, s/s	2
20	H242	bolt, shoulder, 5/8" x 1.5", 1/2-13 threads	2
21	H252	bolt, shoulder, 1/4" x 1.5", 10-24 threads	4
22	H351	screw, 1/4-20 x 3/4", socket head, s/s	4
23	H213	washer, 1/4" lock, s/s	12
24	C327A	motor, 1.5 HP, 1725 RPM, 115/230V, 60 HZ, ECO	1
25	PH657-15	tubing, 1/4", nylon, blk	1
26	H559	plate, ECO-17	1
27	G123	BUMPER, ECO-17	1
28	H327	washer, 3/8" lock, s/s	4
29	H293	bolt, 3/8-16 x 1", hex head	4
30	H570	weight w/key, counter, #5 offset, Encap machine	1
31	H571	screw, 5/16-24 x 1", allen, flat, counter sunk, s/s	1
32	H556A	bearing, offset, ECO	1
33	H148	washer, 5/16", narrow	6
34	P608	hub, pad driver, s/s, encap machine	1
35	H342	bolt, 1/4-20 x 1" hex head, s/s	8
36	G113A	PAD DRIVER, ECO-17	1
37	H202	bolt, 1/4-20 x 3/4" hex head, s/s	4
38	H485	handle, aluminum grip, black	1
39	B645A	filter, cap, ECO-17	2
40	B645C	jet, ECO-17	2
41	B645D	filter, strainer, ECO-17	2
42	B645B	filter, body, ECO-17	2
43	H384	washer, 3/8 flat, s/s	6
44	H560	L bracket, ECO-17	2
45	H561	jet bracket, ECO-17	2
46	H922	screw, thumb, 1/4-20 x 1/2"	2
47	G052	washer, buna 1-1/8" od x 3/16" id	2
48	B153	coupling, 1/8" npt, light pattern	3
49	B140	connector, 1/4" push-in x 1/8" mpt	3
50	H403	nut, lock, 10-24, nylon insert	4
51	H322	nut, hex, 1/2-13, s/s	2
52	H328	clamp, hold down, weight, s/s, set of 2, ECO	2
53	H552	arm, right	1
54	B646	adapter, 1/4" mpt x 1/8" fpt	1
55	PH657-20	tubing, 1/4", nylon, blk	1
56	B178	tee, brass, 1/4", push-in	1
57	B652	elbow, 90 deg, 3/8"mpt x 1/4"mpt	1
58	PH634-12	sol hose, 1/4", silicone braided, clear	1
59	B170	ferrule, 1/4" brass	2
60	B152	elbow, brass, 90 deg, 1/4" barb x 1/4" mpt	1
61	B105	bushing, brass, 3/8"mpt x 1/4"	1
62	C324	pump, 60 PSI, no pressure switch, 4" cord, male schuko plug, 115v, 60hz	1

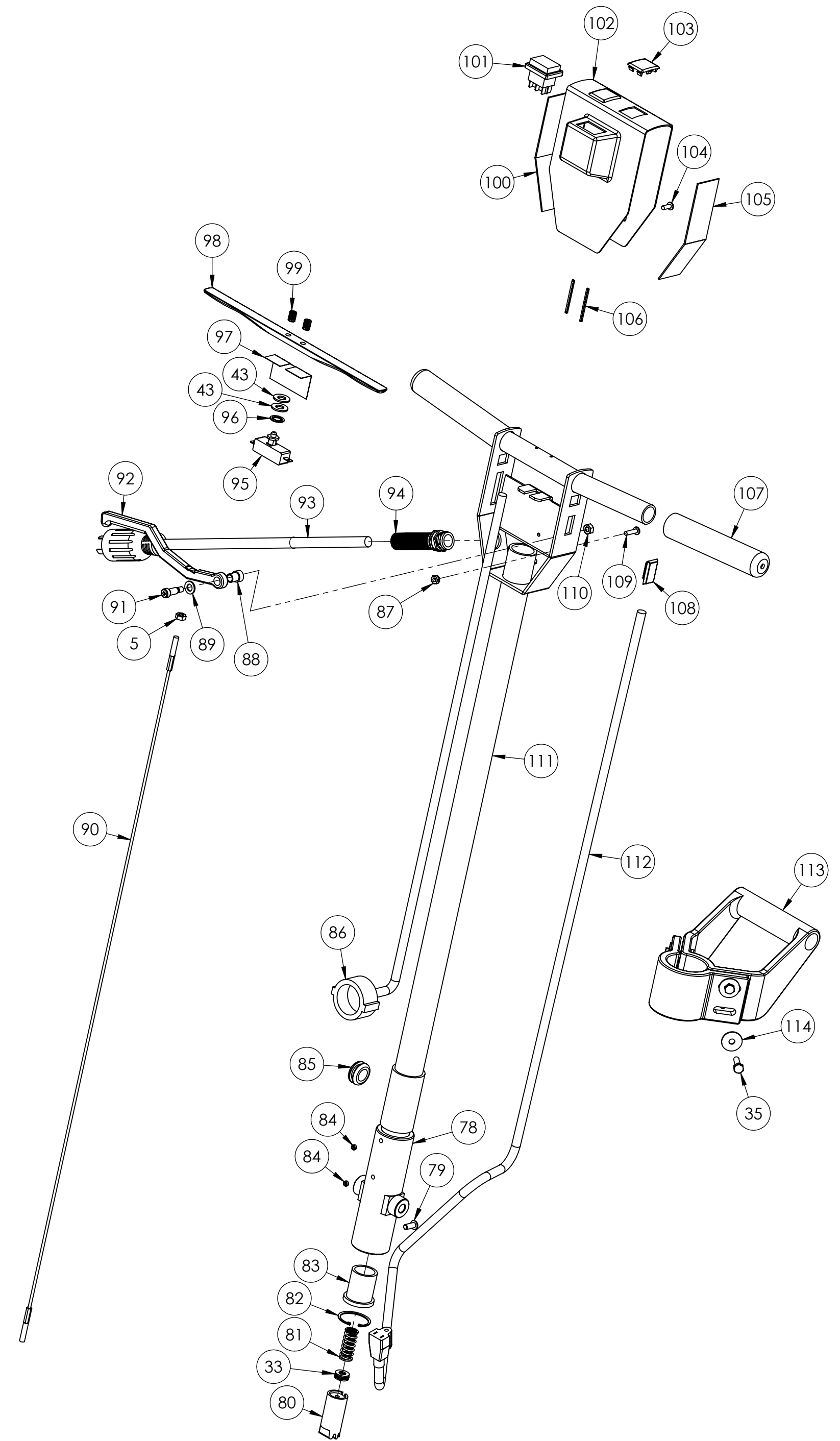
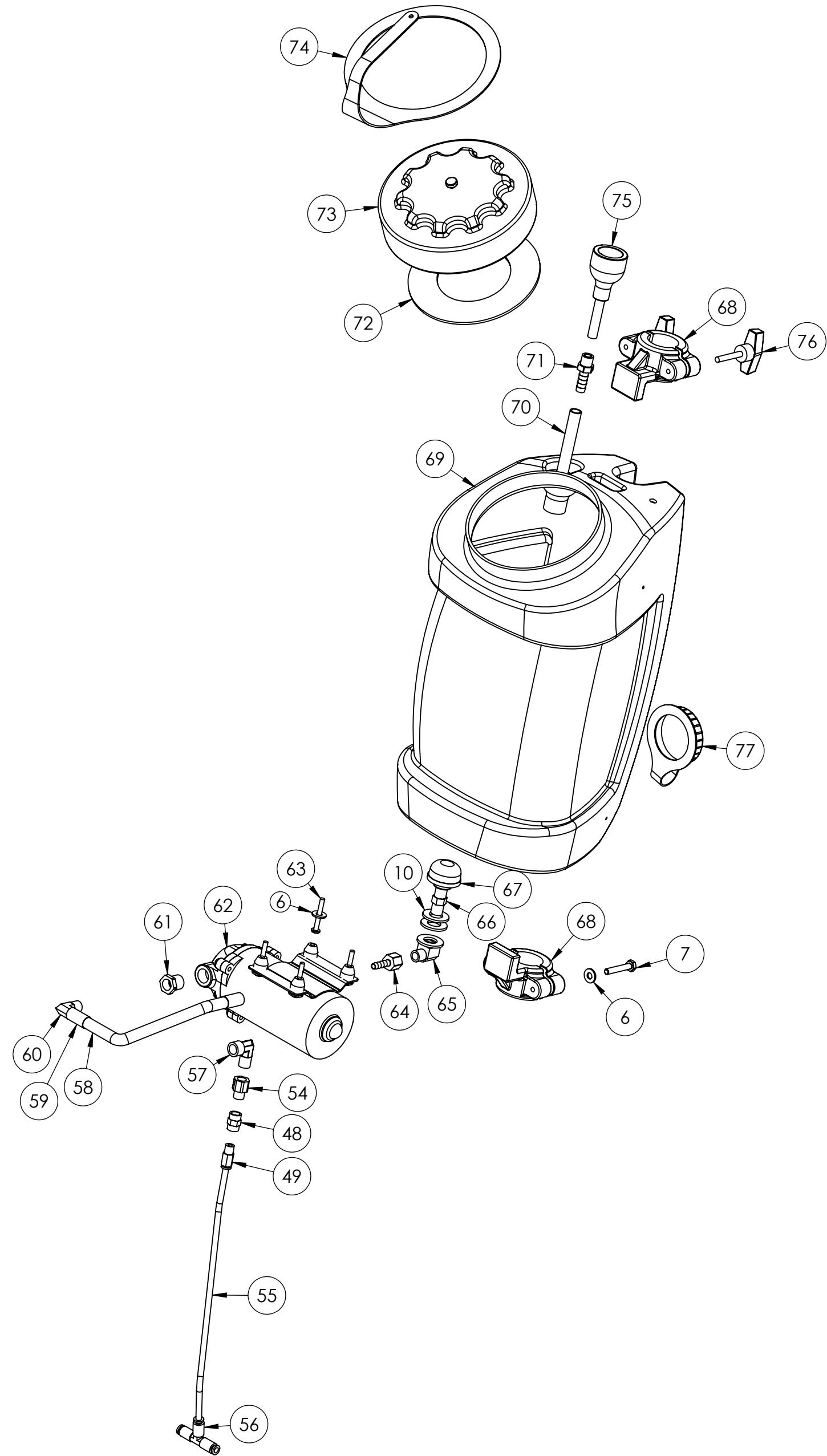
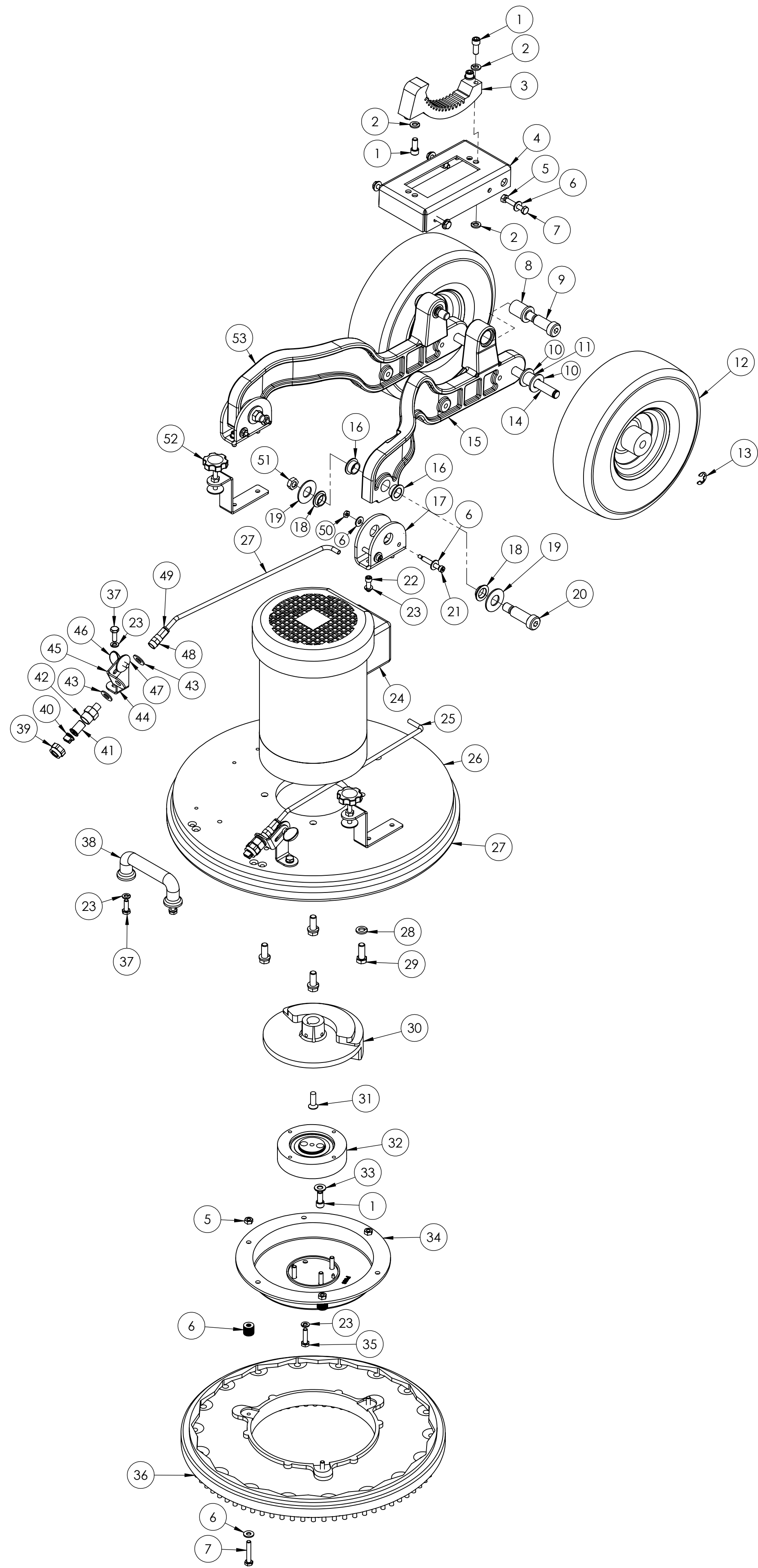
ITEM NO.	PART NO.	DESCRIPTION	QTY.
63	H457	screw, 10-32 x 1-1/2", p-pan	4
64	B110	adapter, brass, 1/4" sw barb x 1/4" fpt, w/gasket	1
65	B103	elbow, 90 deg street, 1/4"mpt x 1/4" fpt	1
66	B107	nipple, hex, 1/4"mpt x 1/4"mpt	1
67	B119	filter, strainer, 1/4"	1
68	H915	clamp, shampoo tank	2
69	P559	replacement tank, ST-4	1
70	PH715-36	sol hose, 3/8", silicone braided, clear	1
71	B241	adapter, brass, 3/8" barb x 1/4"mpt	1
72	G031	gasket, 3.25" i.d. x 5.80" o.d.	1
73	P560	cap, 6", threaded	1
74	G055	tether, cap, 6 1/2"	1
75	H178	faucet fill	1
76	H357	thumb screw, 1/4" - 20, shampoo tank	2
77	G036	cap, 2.5" threaded, tethered	1
78	H341	handle pivot, floor machine	1
79	H705	bolt, guide, locking piston	1
80	H844	locking piston, handle adj.	1
81	H157	spring, handle adjustment	1
82	H152	ring, retaining, internal 1 1/2"	1
83	H847	bushing, locking piston	1
84	H187	set screw, 1/4-20 x 1/4"	4
85	H164	grommet, 5/8" ID	1
86	E615	power cord, schuko female end, 48", 18/3, black, sjtw solid jacket	1
87	H273	nut, kep, #10-32 zinc	1
88	P529	spacer, lever, handle adj.	1
89	H148	washer, 5/16", narrow	1
90	H159	cable, handle adj, floor machine	1
91	H149	bolt, 5/16" shldr x 5/8" w/ 1/4-20 thrd	1
92	H839	lever, handle adj., floor machine	1
93	E417	power cord, end, 13", 12/3, LA066A male twist locks, sjtw solid jacket	1
94	H144	strain relief, power cord, metal	1
95	H167	switch, momentary	1
96	H640	washer, internal star, 3/8" zinc	1
97	H166	insulation, switch, floor machine	1
98	H855	lever, switch, floor machine	1
99	H160	spring, switch/lever	2
100	G132A	gasket, switch cover, left, ECO	1
101	E516	switch, rocker, 3 position	1
102	H255	switch cover, EC, floor machine	1
103	P605	plug, lockout, ECO	2
104	H230	screw, 10-32 x 1/2" phil pan head, s/s	2
105	G132B	gasket, switch cover, right, ECO	1
106	H161	roll pin, 1 3/4" x 1/8"	2
107	G040	grip, handle, vinyl	2
108	P524	plug, plastic, floor machine handle	1
109	H256	screw, 10-32 x 3/4" phil pan head, zinc	1
110	H215	nut, hex, 1/4-20 s/s	1
111	H849	handle, floor machine	1
112	E575	power cord, female nema 15 end, black, 52", 12/3, sjtw, solid jacket	1
113	H600	grip, 2" dia, wand	1
114	H211	washer, 1/4" id x 1" od, flat, s/s	4

### ITEMS NOT SHOWN

PART NO.	DESCRIPTION	QTY
E351A	powercord, ext, 50', 12/3, fem twist lock x male end	1
G127-19	bonnet, micro fiber, 19"	1

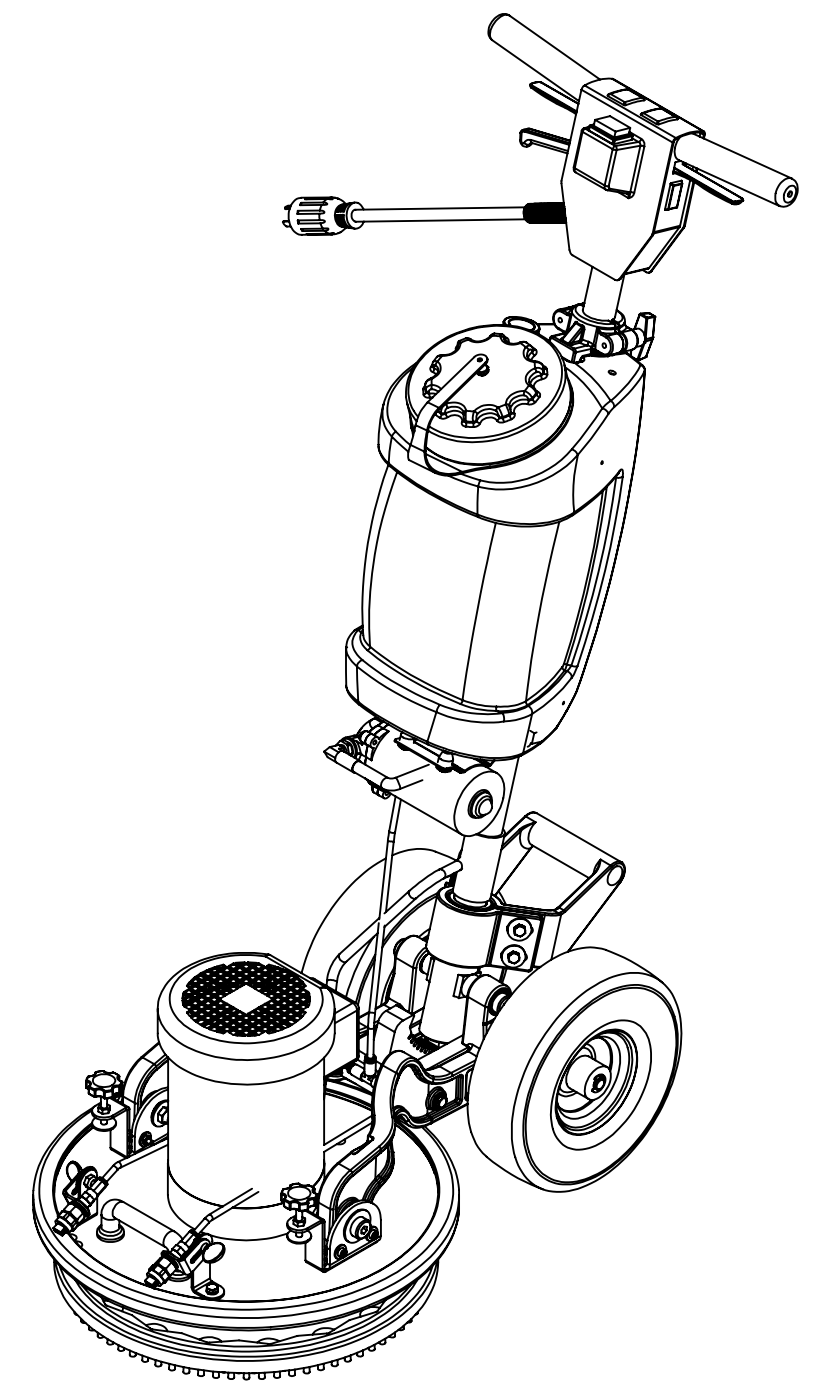


NAME	DATE	<b>MYTEE</b> 858-679-1191						
DRAWN M.LaBarbera	11/2018							
CHECKED		TITLE:						
COMMENTS:		<b>Encap PRO</b>						
<small>PROPRIETARY AND CONFIDENTIAL THE INFORMATION CONTAINED IN THIS DRAWING IS THE SOLE PROPERTY OF MYTEE LLC. ANY REPRODUCTION IN PART OR AS A WHOLE WITHOUT THE WRITTEN PERMISSION OF MYTEE LLC IS PROHIBITED.</small>		<table border="1"> <tr> <td>SIZE</td> <td>DWG. NO.</td> <td>REV</td> </tr> <tr> <td><b>C</b></td> <td><b>ECO-17 PRO OD</b></td> <td></td> </tr> </table>	SIZE	DWG. NO.	REV	<b>C</b>	<b>ECO-17 PRO OD</b>	
SIZE	DWG. NO.	REV						
<b>C</b>	<b>ECO-17 PRO OD</b>							
SCALE: 1:24	DO NOT SCALE DRAWING	SHEET 1 OF 3						



NAME	DATE	<b>MYTEE</b> 858-679-1191
DRAWN M. LaBarbera	11/2018	
CHECKED		TITLE: <b>Encap PRO</b>
PROPRIETARY AND CONFIDENTIAL THE INFORMATION CONTAINED IN THIS DRAWING IS THE SOLE PROPERTY OF MYTEE PRODUCTS, INC. ANY REPRODUCTION IN PART OR AS A WHOLE WITHOUT THE WRITTEN PERMISSION OF MYTEE PRODUCTS, INC. IS PROHIBITED.		SIZE DWG. NO. REV <b>D ECO-17 PRO OD</b>
SCALE: 1:24		DO NOT SCALE DRAWING SHEET 2 OF 3

REVISIONS			
REV.	DESCRIPTION	DATE	APPROVED
OD	ORIGINAL DRAFT	3/2015	JFL



	NAME	DATE	<b>MYTEE</b> <small>858-679-1191</small>	
DRAWN	M.LaBarbera	11/2018		
CHECKED			TITLE:	
COMMENTS:			<h1>Encap PRO</h1>	
<b>PROPRIETARY AND CONFIDENTIAL</b> <small>THE INFORMATION CONTAINED IN THIS DRAWING IS THE SOLE PROPERTY OF MYTEE LLC. ANY REPRODUCTION IN PART OR AS A WHOLE WITHOUT THE WRITTEN PERMISSION OF MYTEE LLC IS PROHIBITED.</small>				
	SIZE	DWG. NO.	REV	
	<b>C</b>	<b>ECO-17 PRO</b>	<b>OD</b>	
	SCALE: 1:24	DO NOT SCALE DRAWING	SHEET 3 OF 3	